



INNOVATE MATERIALS. THE BEST QUALITY IN THE WORLD.

Yuh Horng Hygiene Furniture brings you a top living quality that no other can



From designed-in and made-in Taiwan to worldwide marketing

First established under the name of Ya Song Shi Co., Ltd. in 1993, Yuh Horng is now concentrated solely on the manufacturing and development of bathroom bowl, surface bowl, kitchen sink, washing tank, bathroom drain duct, and other accessories, from the earliest FRP, artificial acrylic to the current 100% MMA acrylic solid sink and bowl (a world class material). Our 16 years long expertise and experience are the driving force that propels us to worldwide marketing.



Quality priority, safe first

Good quality always centers on the core value of human-oriented safety. Yuh Horng builds its brand philosophy upon a long-lasting belief of elevating consumer's living quality. Such belief has been incorporated as part of our business management. From within, we are gathering an internal consensus by making every employee realize company mission. On the outside, we are building company image of quality brand, seeking partners with the same goal to lead the global trend.



SECURITY IS INVALUABLE
U-HOME, our core value, makes a fine kitchen and bathroom sinks for the people, and satisfies your demands in order to raise your quality of life.

- Rationality derives from human mind- Professional, Steadiness, Modesty, and Spotlessness.
- Perception derives from family mind- Dignity, Elegance, and Lofty.



This stamp is used exclusive for our special materials, an artificial stone solid sink made of 100% acrylic, that means "innovative materials, the best quality in the world".

Cutting-edge technology, connecting in line with the world

For any brand to walk onto the world stage, it takes refined technique, innovative materials, and production quality to excel itself from competitors. It is the 100% MMA (methyl methacrylate) acrylic solid, the brainchild of long years of devotion to R&D that had made Yuh Horng stand out from the field. The strength of Yuh Horng's competitiveness is based on its R&D of production equipment, repeated trials and improvement of ingredient composition, and long-term persistence in manufacturing quality products.



Specialized professionalism recognized by world renowned manufacturers

In domestic market, Yuh Horng has topped as the No.1 old timer in the manufacturing technique and experience of bathroom & kitchen sinks. And yet, instead of flaunting our seasoned seniority, we drill even deeper with humbleness. Without being contented with past achievement, we brave undauntedly the numerous challenges lying ahead, and continue to devote to R&D, monitoring production quality to meet the harsh tests of the market. It is such persistence that has won us the recognition and the contract of Japanese TOTO branch in Taiwan to march joint-handedly towards manufacturing high-end products that will meet customers' highest demands. We open our arms to partners with the same ideals to join with us in reaching for excellence.



Test Report of Artificial Marble Quality



Japan Hsieh Ho Engineering Co., Ltd. Test Report of Artificial Marble Slabs

The best quality in the world

Our material is the same grade as DuPont, LG, and Samsung's

100% MMA acrylic solid sink and bowl

High plasticity materials, meeting designer's demand, realizing unbounded innovation into high density, stain-resistant, and seamless bonding products

Our 100% MMA acrylic solid sink and bowl are made of high density materials without capillary pore to absorb or attract any residues, and thus no concerns of bacteria or germ breeding. Any coffee or tea stains or residues left unwashed overnight stay only on the surface, and can be cleaned with household scouring pad (e.g., 3M Scotch-Brite pad, except those made of steel silk) or rinsed by adding a few drops of detergent. It can achieve easier maintenance than ordinary sink.



Certificate of ANSI Z124.6.

Solid durability certified by ANSI

Non-yellowing test: The acrylic resin has superior weather resistance, with no concerns of yellowing problem.

Non-combustibility test: No spontaneous combustion occurs ± 1 minute upon ignition of flamethrower. Any stain left by lighted cigarette can be easily cleaned off with a household scouring pad.

Thermal shock endurance test: Passed the ANSI Z124.6-5.6 test.

Chemicals resistance (acid or alkali) test: Passed the ANSI Z124.6-5.5 test.

Scratch resistance test: U-HOME acrylic solid sink and bowl are made of homogenous materials, and have passed the ANSI Z124.6-5.3 test. Any scratch on the surface can be easily smoothed out by a 400-600 waterproof sand paper.

Seamless bonding technique, a combination of perfect delicacy

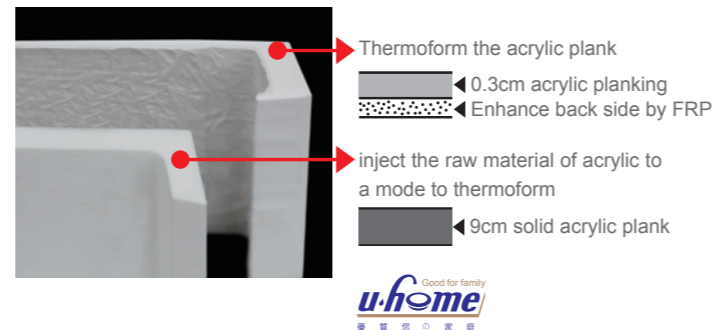
U-HOME acrylic solid sink and bowl, and vanity set are incorporated as one integrated whole with seamless technique, free from germ and fungus breeding, and meeting high standard of clean and sanitary requirements.



Seam-mount

Angled-mount

100% MMA-Solid and genuine material from top down and inside out



100% MMA acrylic solid sink and bowl excellent features

Material	Feature	Durability	Processing
 100% MMA ACRYLIC SOLID SINK AND BOWL	High density, hardness, no pore because the acrylic was pressed and formed by high temperature.	High density, no pore to hide dirt, unchanging color, heat-resistant, chemical-resistant, and easy to clean.	Even hardness, easy to bond the sink and table surface well.
COMPOUND ACRYLIC RESIN SINK	Made of the most of polyester and a little acrylic resin, better than polyester sink, but didn't reach to the excellent feature of 100% MMA acrylic solid sink and bowl.	The duration is better than polyester sink, but didn't reach to the excellent feature of 100% MMA acrylic solid sink and bowl.	Uneven hardness, the processing is better than polyester sink, but didn't reach to the excellent feature of 100% MMA acrylic solid sink and bowl.
POLYESTER SINK	It has pore, no good hardness because the polyester resin was pressed and formed by normal temperature.	Low density, has pore to hide dirt.	Uneven hardness.



U-101

BATHROOM BOWL



Available in these colors:



Milk
Shake
A006



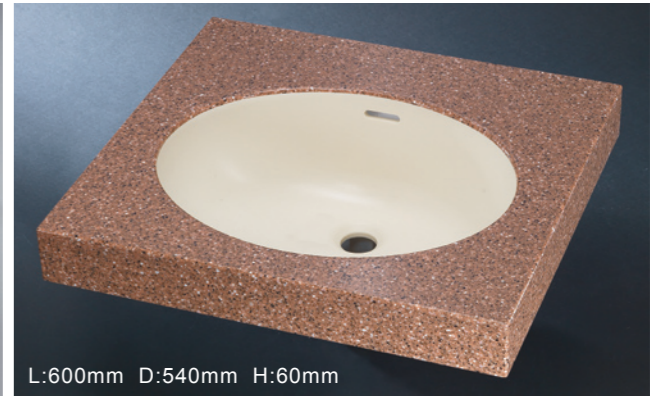
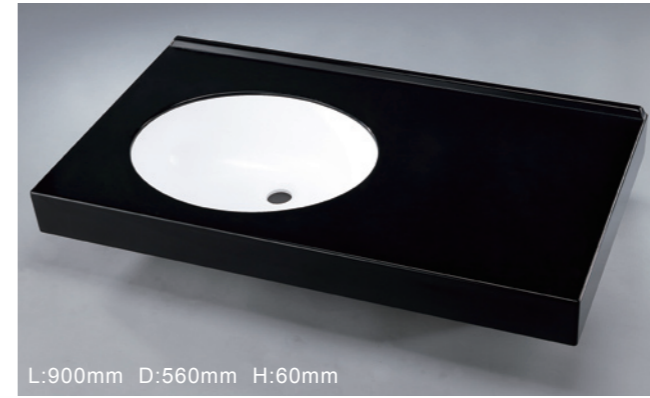
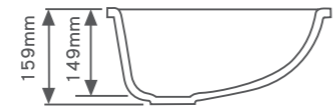
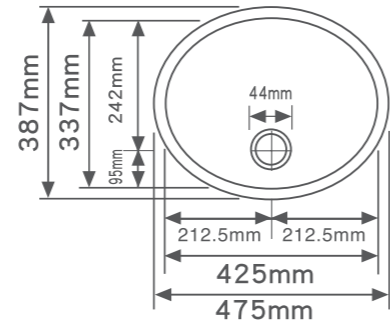
Beige
Cream
A102



Natural
White
A103



Pure
White
A104



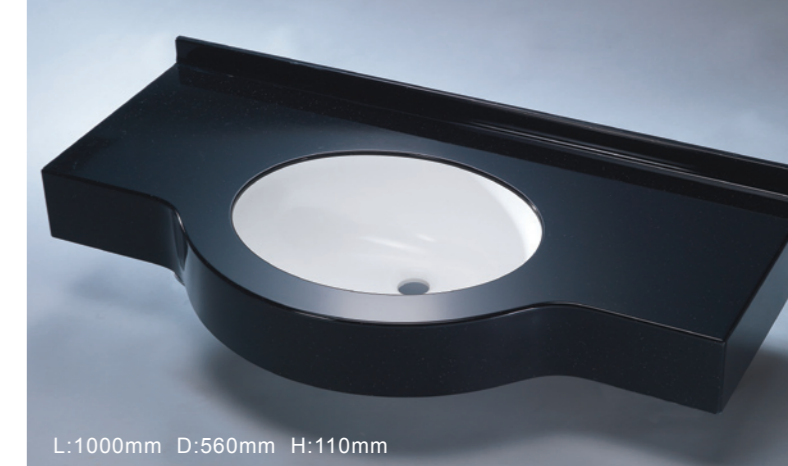
Insist on quality of design, you would find everything fresh and new.

BATHROOM BOWL



Seriously request rational sense of beauty, be particular about the practical delicate living.

You may evaluate carefully and almost are overcritical 100% MMA acrylic solid sink and bowl, the material of the said sink is the same class of international big factories (such as DuPont, LG, and Samsung), the material has passed successfully the international certificate of ANSI Z124.6. Excellent quality, 100% new design, respect the practical worth for people.



L:1000mm D:560mm H:110mm

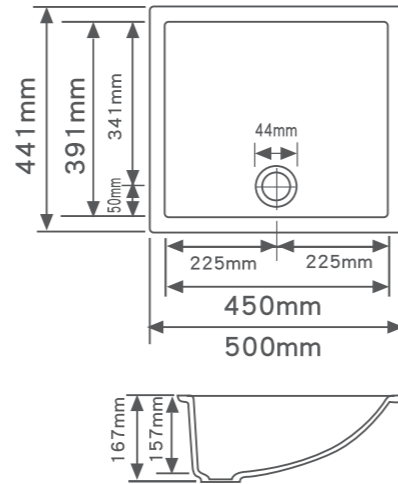


U-102

BATHROOM BOWL



Available in these colors:



**Come off the old thinking,
enrich your life.**

Subvert your idea that is used to something, be amazed since you have it.



L:600mm D:560mm H:60mm



L:1200mm D:560mm
H:1700mm SurfaceD:3500mm





BATHROOM BOWL

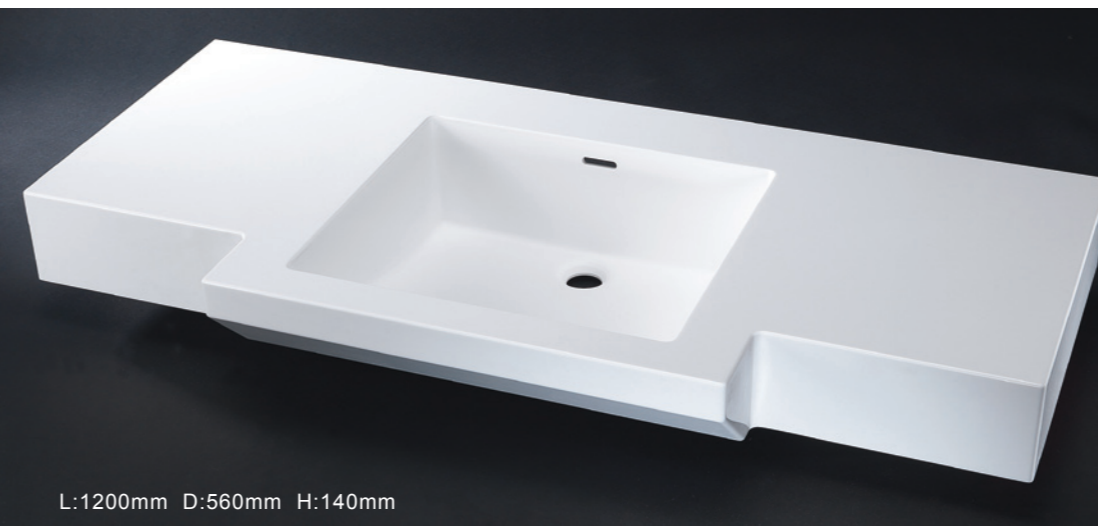


An outstanding product derives from human design exquisitely.

100% MMA acrylic solid sink and bowl, high density quality, firm and durable, anti-discolored, anti-dirt, anti-chemicals, heatproof. No joint between sink and panel, easy to clean, avoid breeding germs.



L:1200mm D:560mm H:80mm



L:1200mm D:560mm H:140mm



U-103

BATHROOM BOWL



Available in these colors:



Milk
Shake
A006



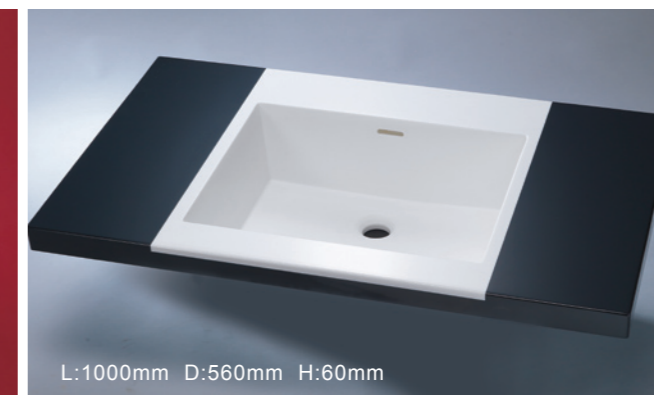
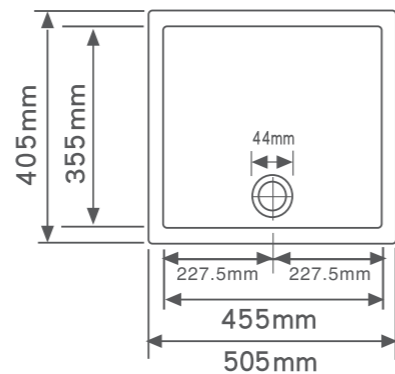
Beige
Cream
A102

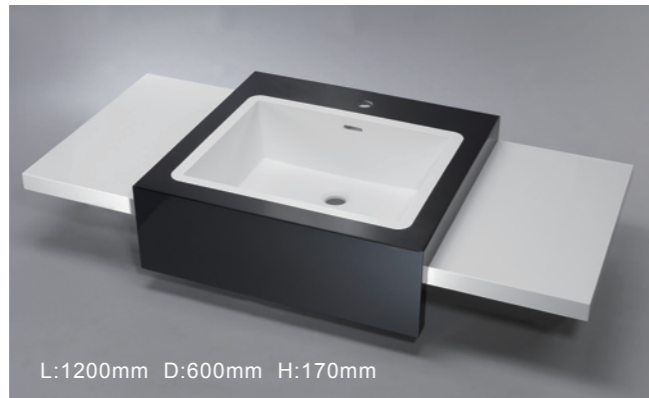


Natural
White
A103

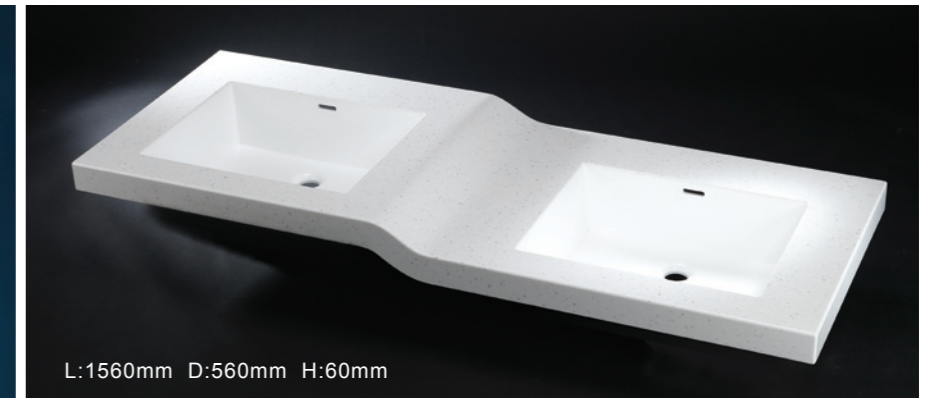


Pure
White
A104





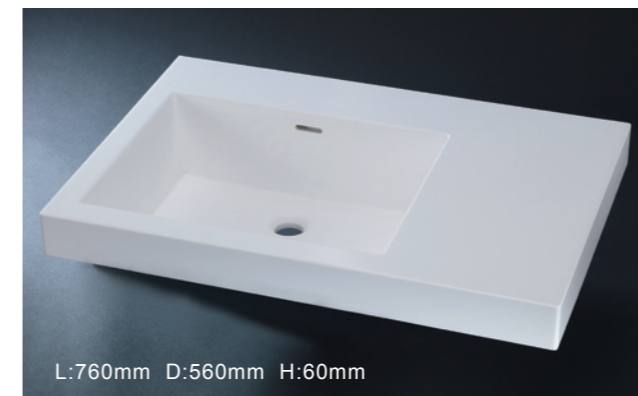
BATHROOM BOWL



Put the esthetics into the life, it just starts to live really.

An extreme simple design tendency in post modern times, its molding is simple and generous, which is to express a simple style, to make a practical and beautiful products.

New value is born.
Meet your remarkable quality with an uncommon manner. High quality living is just beginning really.



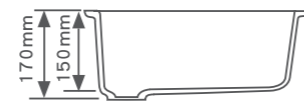
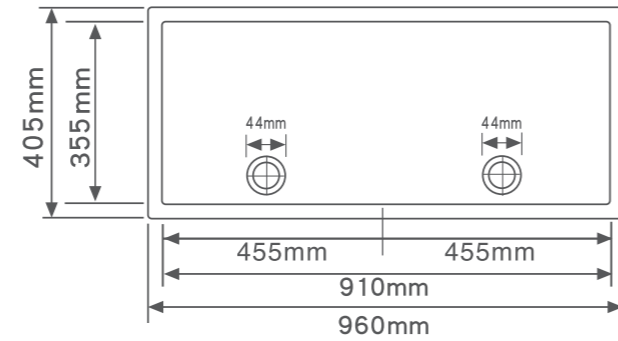
U-105

BATHROOM BOWL



We produced delicately in every inch in order to improve your life of quality.

Available in these colors:



U-201

KITCHEN SINK



Available in these colors:



Milk
Shake
A006



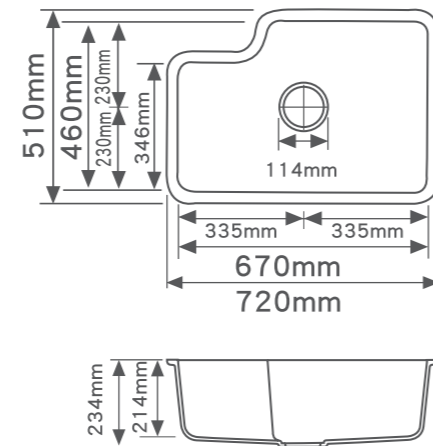
Beige
Cream
A102



Natural
White
A103



Pure
White
A104



Good Service

We provide all kinds of sizes for your option, i.e. you may extend or shorten the length of table surface so as to easy to design your kitchen and use it properly.



U-202

KITCHEN SINK



Available in these colors:



Milk
Shake
A006



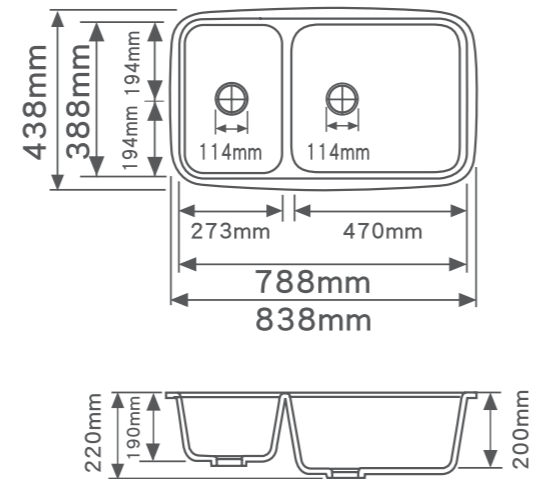
Beige
Cream
A102



Natural
White
A103



Pure
White
A104



Top Quality Materials, Healthy Life.

According to the investigation, the germs in the sink of kitchen are two hundred times as many as toilet, because the surface of common sink has many remains including staphylococcus aureus, colon bacillus, black ferment mould. These hided germs have a great reproductive capacity, which harm to health. The material of the 100% MMA acrylic solid sink and bowl is durable, easy to clean and maintain, keeps your kitchen clean, and good for your health.



U-203

KITCHEN SINK



Available in these colors:



Milk
Shake
A006



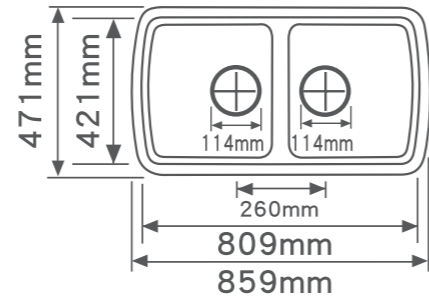
Beige
Cream
A102



Natural
White
A103



Pure
White
A104



Pursues perfectly, challenge to a mission impossible.

For normal people, it is easy to make a good quality from 0 to 80 points. But from 80 to 100 points, it needs a lot of persistence and inflexibility. Exactly produce, perfectly request, to pick fault more than customers. Absolutely has a competitive condition to be a first-class brand in the world. Challenge to a mission impossible.

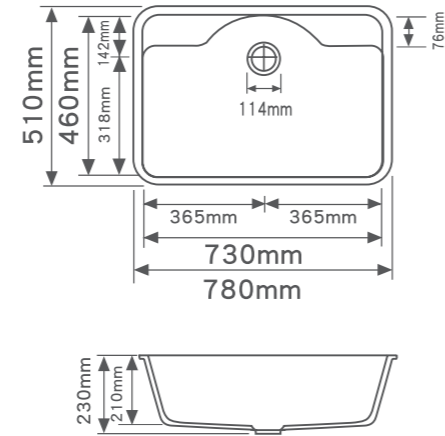


U-205

KITCHEN SINK



Available in these colors:

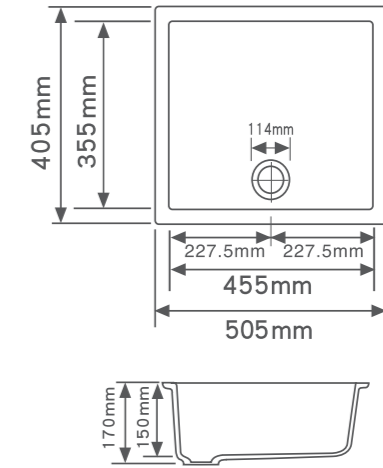


U-206

KITCHEN SINK



Available in these colors:



Reliable

Secure

Comfortable



Artistic

Good for family
u·home
優質 您的家庭

YUH HORNG HYGIENE FURNITURE CO., LTD.

No.52, Dou Gong 12Rd., Douliou, Yunlin 640 Taiwan.

Tel: 886-5-5574296 Fax: 886-5-5575247

www.yu-hong.com.tw E-mail: Sale@yu-hong.com.tw